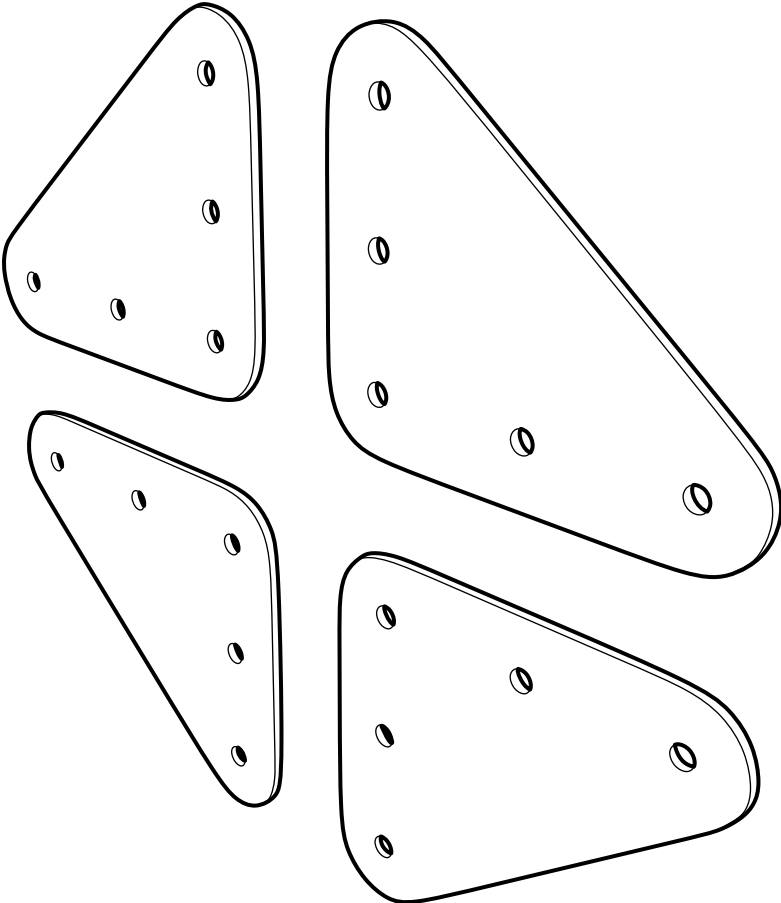
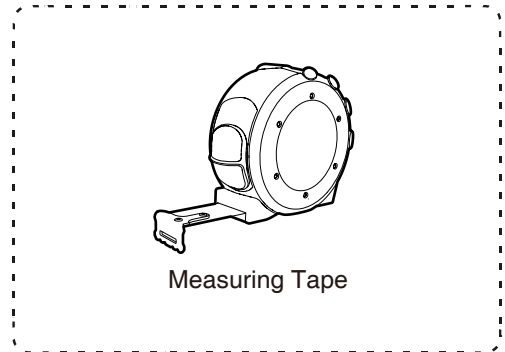
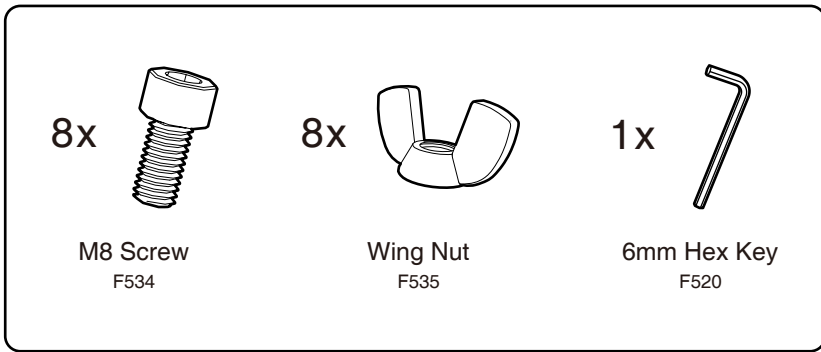


VESA ADAPTER KIT

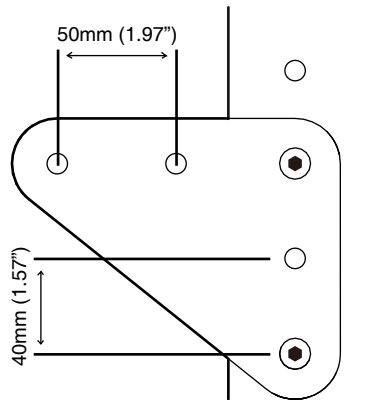


Assembly & Installation

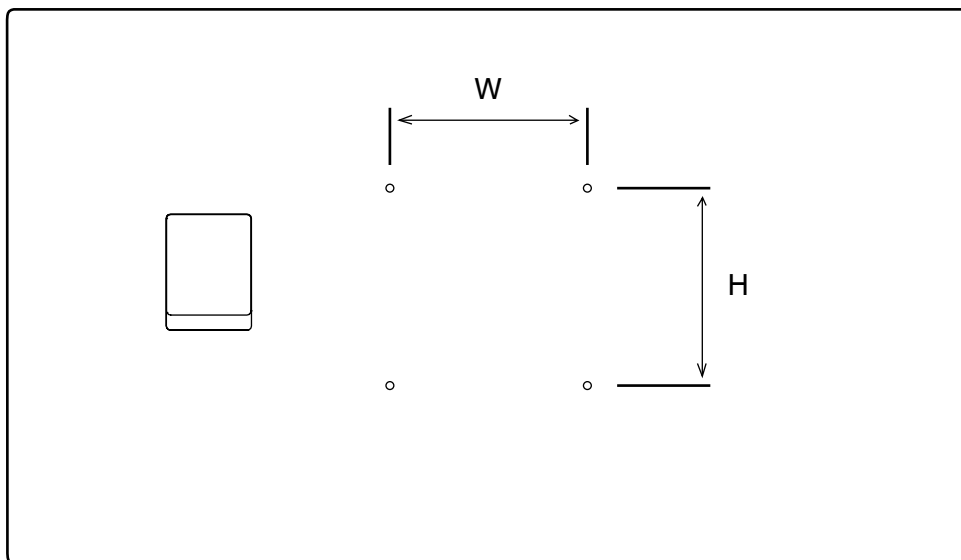




Dimension

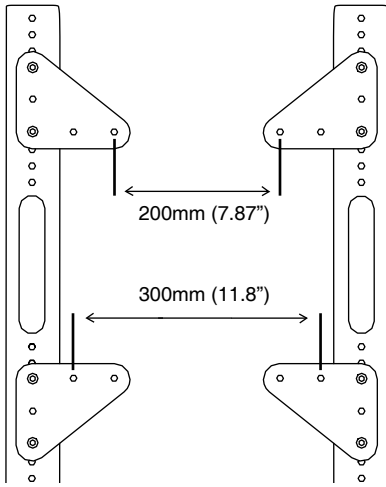


Identify your TV's VESA hole pattern

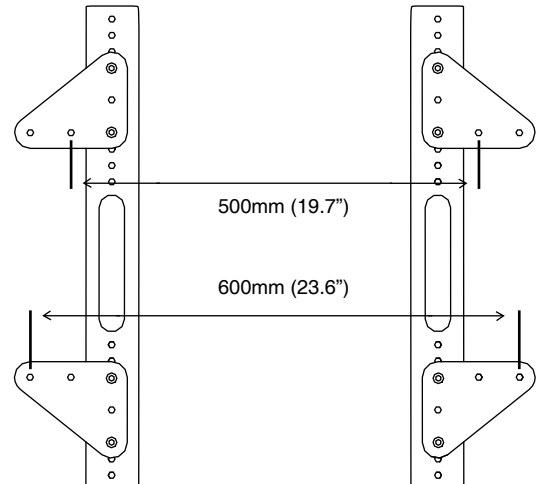


Assembly for various VESA patterns

Width < 400mm (15.8")



Width > 400mm (15.8")

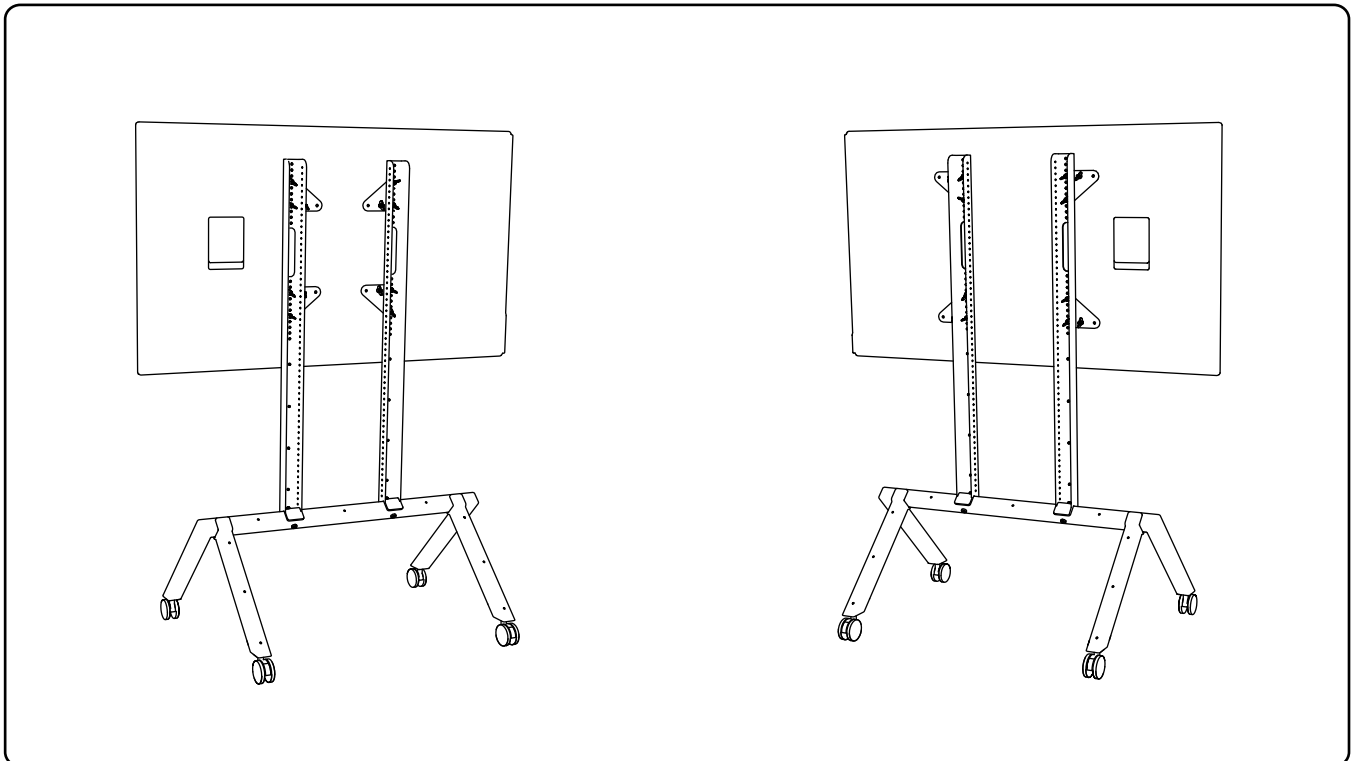


W × H

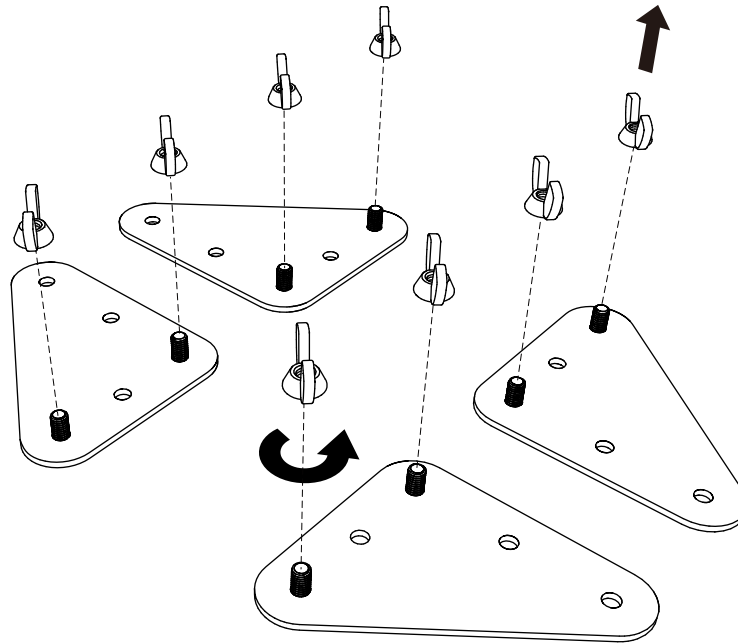
- 200mm × 100mm (7.87" × 3.9")
- 200mm × 200mm (7.87" × 7.87")
- 300mm × 200mm (11.8" × 7.87")
- 300mm × 300mm (11.8" × 11.8")
-

W × H

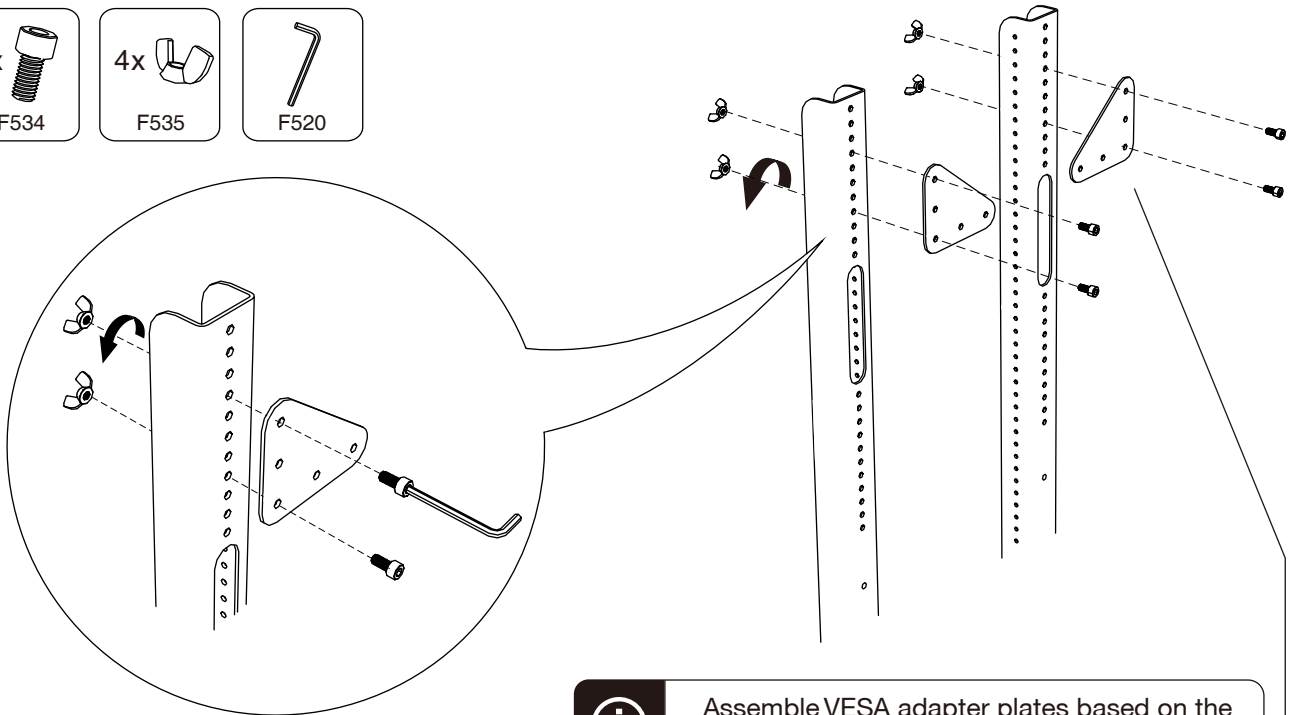
- 600mm × 200mm (23.6" × 7.87")
- 600mm × 300mm (23.6" × 11.8")
- 600mm × 400mm (23.6" × 15.8")
-



1

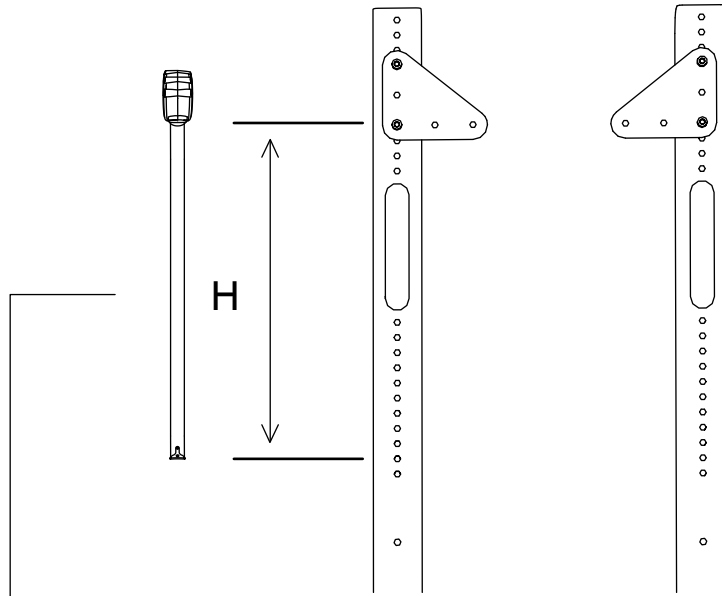
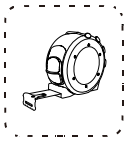


2



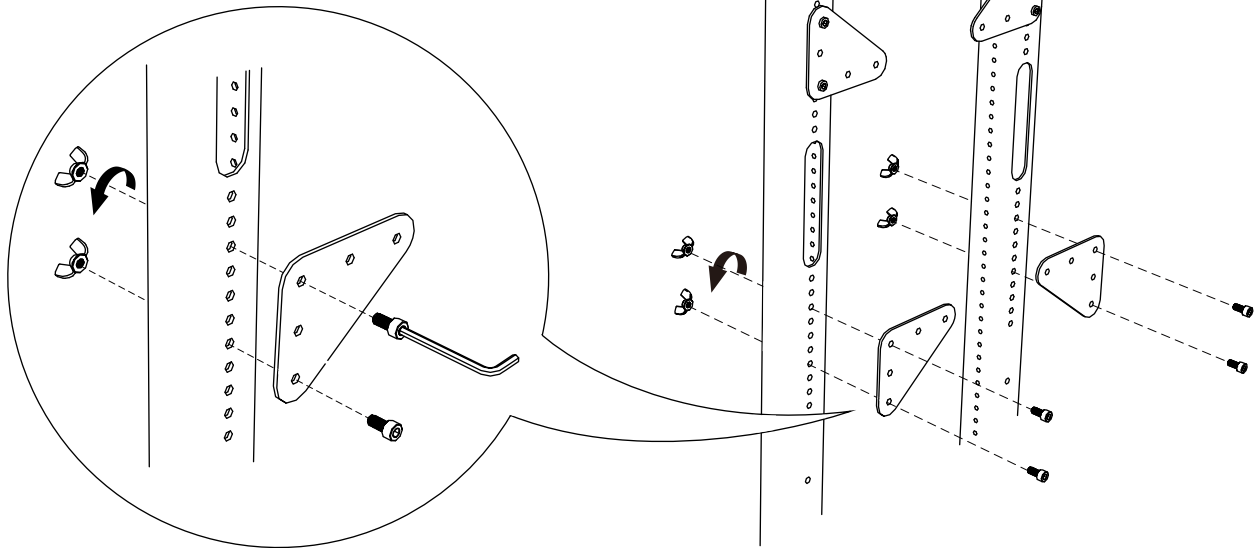
i Assemble VESA adapter plates based on the width of your VESA pattern.

3

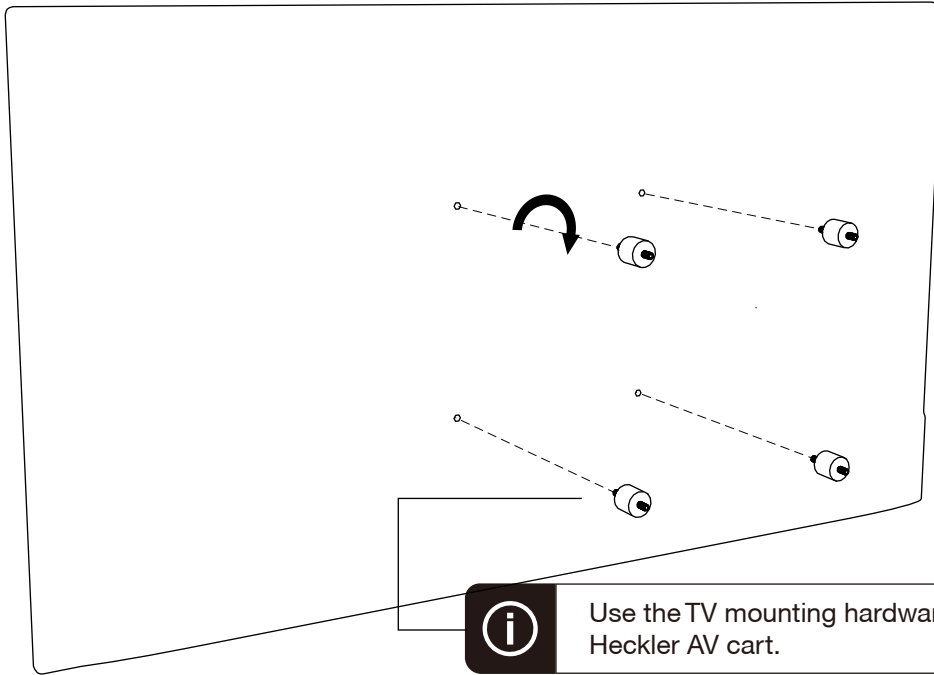


i Use measuring tape to measure the height of your VESA pattern.

4

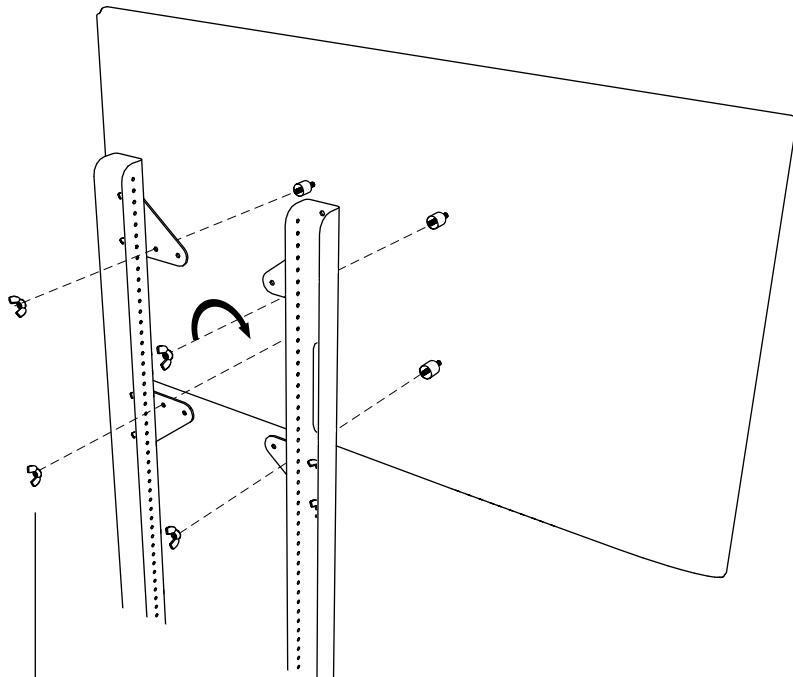
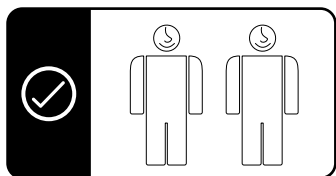
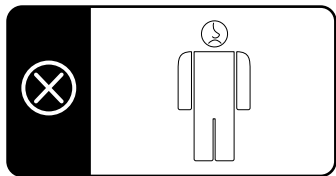


5



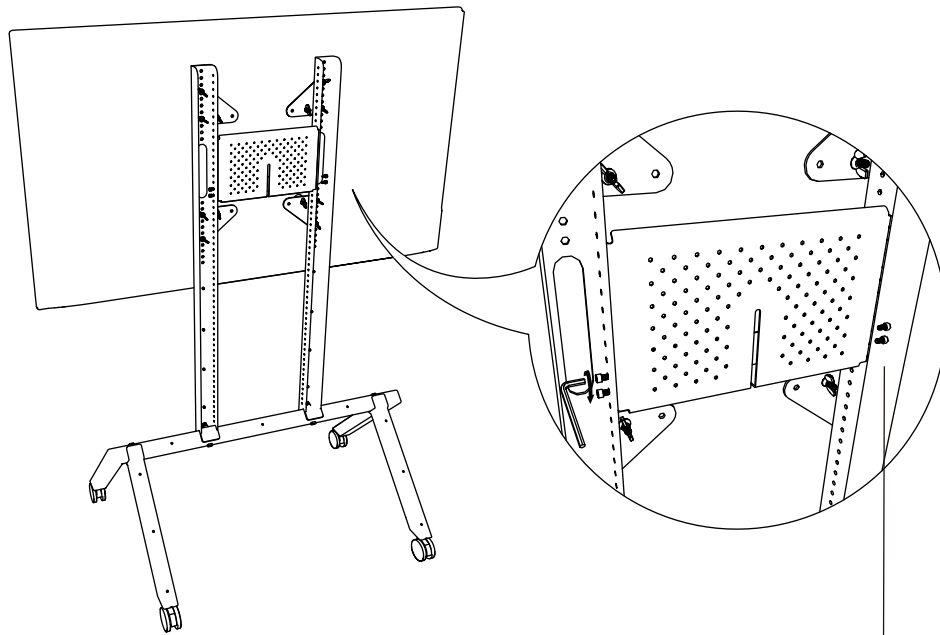
i Use the TV mounting hardware included with Heckler AV cart.

6



i Use the TV mounting hardware included with Heckler AV cart.

7



 Shelf installation hardware included with Heckler AV Cart and Heckler Multi Shelf.

